

**Description:**

An organic-look suspension lamp with an aluminium shade. Direct and reflected light. Available in textured monochromatic white or black matte finishes, and textured matte two-toned black and white, with a gold interior. Textile cables in the same tone. Tree S50 LED and Tree S75 LED include dimable equipment.

Materials:

Aluminium.

Finishes:

Monochrome: White-white or black-black.

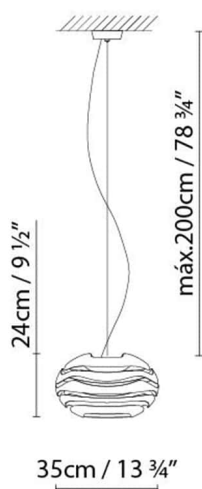
Two-tone: white-gold or black-gold.

Certifications:

IP20

230V

TREE SERIES S35 LED

**Light source:**

LED 17,5W 1550lm 230V 3000K CRI>80

LED A

Weight :

Net kg.: 2.4

Gross kg: 5.9

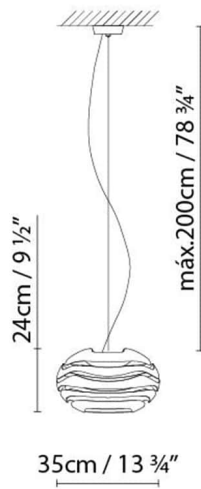
Packaging:

N. packages: 1

Volume m3: 0.130

Dimensions cm: 52x52x48

TREE SERIES S35 HALO

**Light source:**

Halo. ECO max. 130W (R7s) 78 mm

**Weight :**

Net kg.: 2.4

Gross kg: 5.9

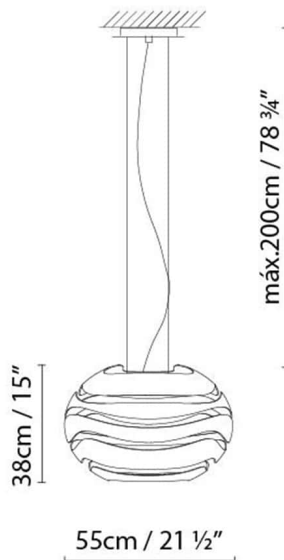
Packaging:

N. packages: 1

Volume m3: 0.130

Dimensions cm: 52x52x48

TREE SERIES S50 LED

**Light source:**

LED 19,5W 2350lm 700mA 3000K CRI>80

**Weight :**

Net kg.: 6.1

Gross kg: 10.5

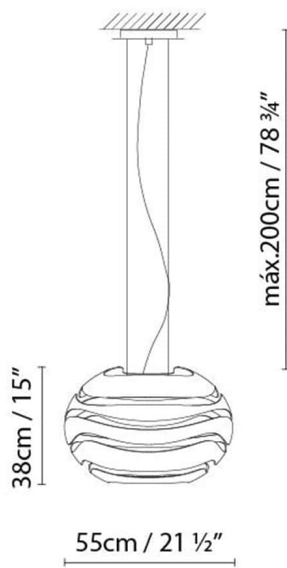
Packaging:

N. packages: 1

Volume m3: 0.220

Dimensions cm: 60x60x62

TREE SERIES S50 HALO

**Light source:**

Halo. ECO max. 130W (R7s)

**Weight :**

Net kg.: 6.1

Gross kg: 10.5

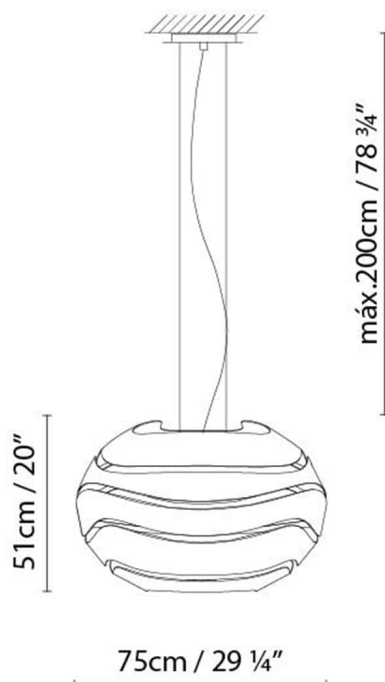
Packaging:

N. packages: 1

Volume m3: 0.220

Dimensions cm: 60x60x62

TREE SERIES S75 LED

**Light source:**

LED 28W 3830lm 700mA 3000K CRI>80

LED**Weight :**

Net kg.: 15.0

Gross kg: 19.8

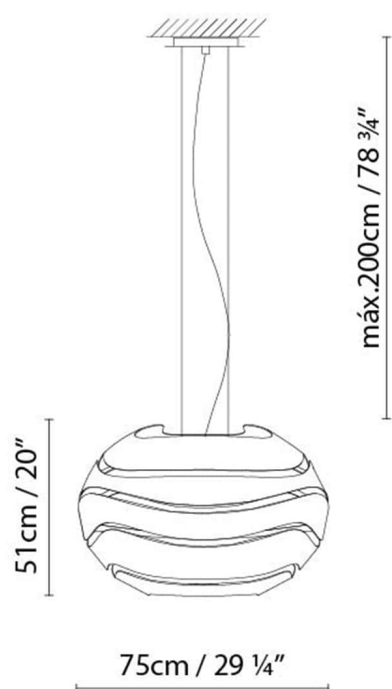
Packaging:

N. packages: 1

Volume m3: 0.600

Dimensions cm: 90x99x68

TREE SERIES S75 HALO

**Light source:**

Halo. ECO 2 x max. 130W (R7s)

**Weight :**

Net kg.: 15.0

Gross kg.: 19.8

Packaging:

N. packages: 1

Volume m3: 0.600

Dimensions cm: 90x99x68

Collection

Designer
Technical drawing