

NEMO

PROJECTEUR 365 WALL CEILING

Le Corbusier

The Projecteur of Le Corbusier was designed for the Chandigarh High Court, India, in 1954. Aluminium body painted in night blue, white sand or moka. Diffuser glass curved and sandblasted in the inner part. Painted body, base and canopies. Screws and small metal parts black chromed. Available in the floor, wall/ceiling and pendant versions. The wall/ceiling and pendant lamps are available also in the outdoor version (IP54).



NEMO

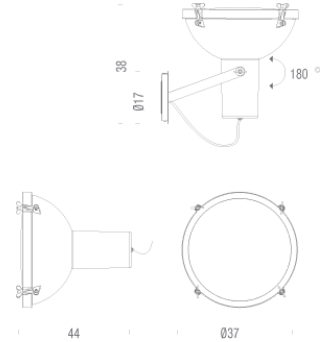
PROJECTEUR 365 WALL CEILING

Le Corbusier

E27 FLUO/LED/HALO

Lamping

| | |
|-------------|---------------------------------|
| Source | E27 bulb |
| Total power | 150W |
| Emission | direct, spot |
| Switching | dimnable, according to the bulb |
| Tension | 230V |
| Ip class | 30 |
| Materials | aluminium |



Codes

PRJ EDW 3A
PRJ EWS 3A
PRJ EMS 3A

Structure



Diffuseur



Package

| | |
|---------------|----------|
| LxPxH (base) | 50x50x50 |
| Weight (base) | 5 |

NEMO

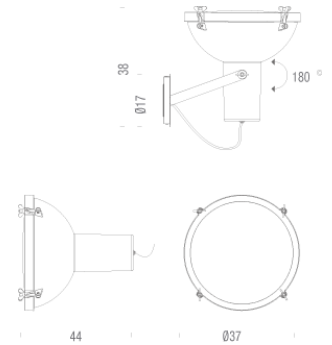
PROJECTEUR 365 WALL CEILING

Le Corbusier

E27 FLUO/LED/HALO IP54

Lamping

| | |
|-------------|---------------------------------|
| Source | E27 bulb |
| Total power | 60W |
| Emission | direct, spot |
| Switching | dimnable, according to the bulb |
| Tension | 230V |
| Ip class | 54 |
| Materials | aluminium |



Codes

PRJ EDW 3E
PRJ EWS 3E
PRJ EMS 3E

Structure



Diffuseur



Package

| | |
|---------------|----------|
| LxPxH (base) | 50x50x50 |
| Weight (base) | 5 |