

**Description:**

A Scandinavian-inspired suspension lamp with a metallic structure and ABS. Textured white finish with textile cable in the same tone. Available in three sizes.

Materials:

Metal.

Finishes:

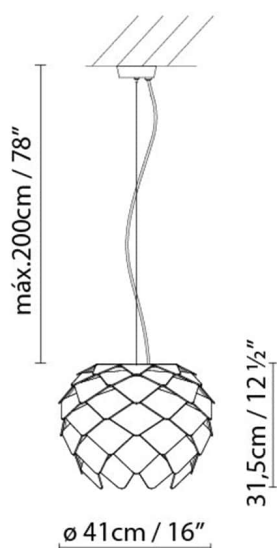
Textured white.

Certifications:

IP20

230V

PHI S40

**Light source:**

LED glob.9W (E27)

LED **A+**

Fluo. glob. max. 23W (E27)

 **A**

Halo. ECO max. 70W (E27)

 **D**

Weight :

Net kg.: 3.5

Gross kg:

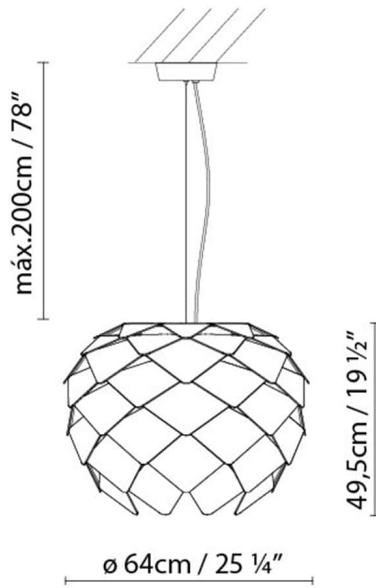
Packaging:

N. packages: 1

Volume m3: 0.130

Dimensions cm: 52x52x48

PHI S60

**Light source:**

LED glob. 16W (E27)

LED **A+**

Fluo. glob. max. 23W (E27)



Halo. ECO max. 150W (E27)

**Weight :**

Net kg.: 7.0

Gross kg:

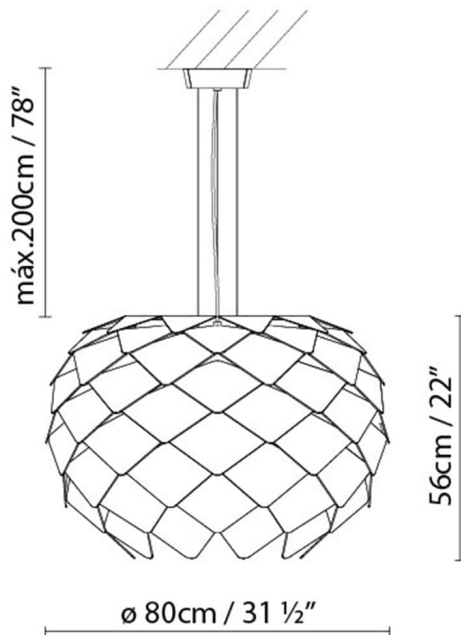
Packaging:

N. packages: 1

Volume m3: 0.170

Dimensions cm: 70x70x35

PHI S80-1

**Light source:**

LED 16W (E27)

LED **A+**

Fluo. max. 30W (E27)



Halo. ECO max. 205W (E27)

**Weight :**

Net kg.: 9.0

Gross kg:

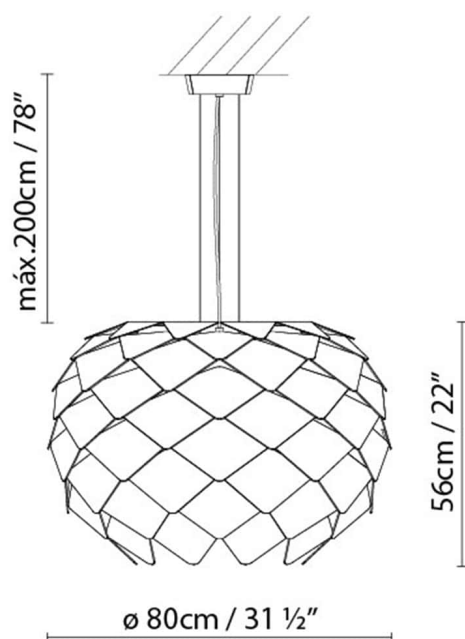
Packaging:

N. packages: 1

Volume m3: 0.192

Dimensions cm: 80x80x30

PHI S80-2

**Light source:**

Halo. met. max. 70W (E27)



A+

Weight :

Net kg.: 9.0

Gross kg:

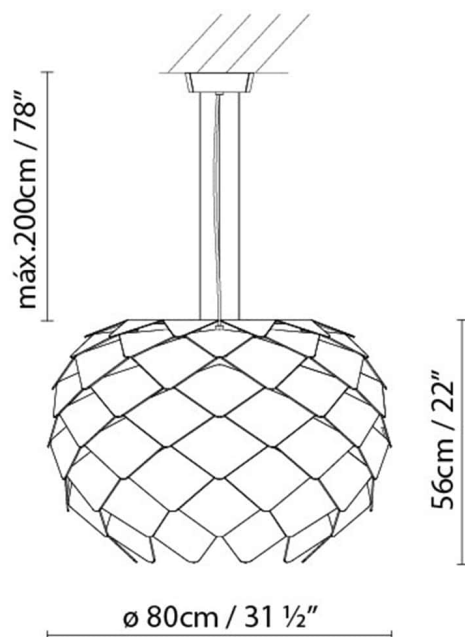
Packaging:

N. packages: 1

Volume m3: 0.192

Dimensions cm: 80x80x30

PHI S80-3

**Light source:**

LED glob. 3 x 16W (E27)

LED

A+

Fluo. glob. 3 x max. 23W (E27)



A

Halo. ECO 3 x max. 100W (E27)



D

Weight :

Net kg.: 9.0

Gross kg:

Packaging:

N. packages: 1

Volume m3: 0.192

Dimensions cm: 80x80x30

Collection



Designer
Instrucciones de montaje
Technical drawing