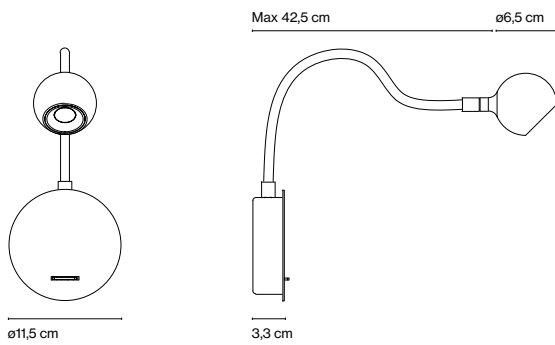


# N°8 Christophe Mathieu

marset



N°8



N°8

LED 3W 700mA 2700K 150lm (included)

Plate made of lacquered black metal with a flexible black arm, covered in braided fabric. Turned wooden diffuser in natural oak or wenge. Integrated rocker switch at the base of the fixture.

- Oak
- Wenge



- [Download](#) Assembly Instructions
- [Download](#) 2D
- [Download](#) 3D
- [Download](#) Energy label

info@marset.com  
www.marset.com



The wooden sphere of the N°8's lampshade is handcrafted to make each lamp unique. Its smooth texture has the quality and feel of a billiard ball.