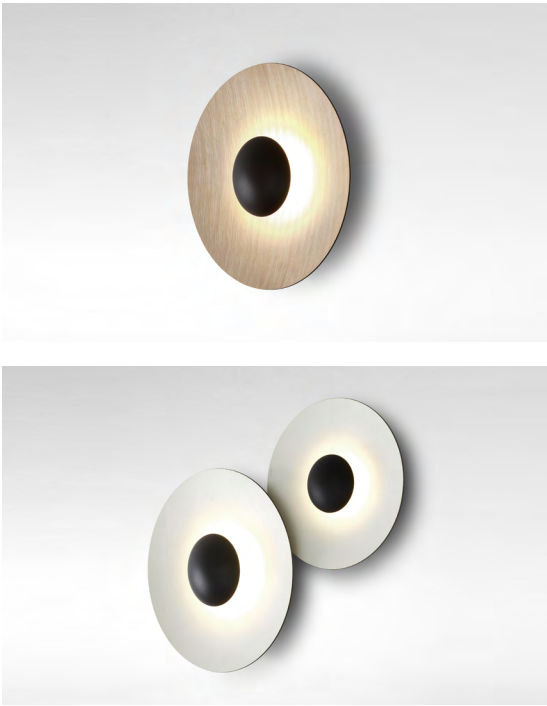




# Ginger

## Joan Gaspar

**marset**



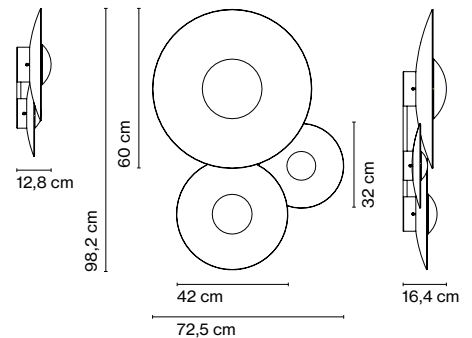
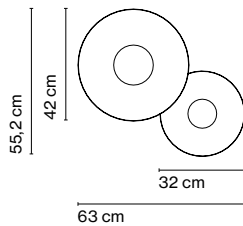
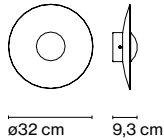
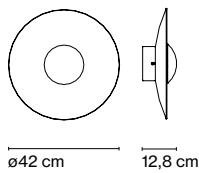
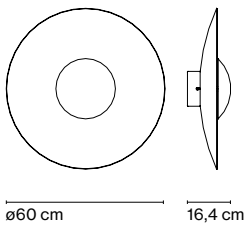
Ginger 60C

Ginger 42C

Ginger 32C

Accessory C2

Accessory C3



Wood is a great ally of cozy lighting. It is a material that is hard to mold, a challenge that the Ginger collection neatly resolves. The combination of sheets of wood and paper pressed together under high pressure achieves a laminate that appears almost entirely flat.

**Ginger 32C**

LED SMD 7,8W 700mA 2700K 1066lm (included)

**Ginger 42C**

LED SMD 15,4W 700mA 2700K 2130lm (included)

**Ginger 60C**

LED SMD 20,8W 700mA 2700K 3023lm (included)

**Accessory C2**

LED SMD 23,2W 700mA 2700K 3196lm (included)

**Accessory C3**

LED SMD 44W 700mA 2700K 6219lm (included)

Pressed wood diffuser of 4mm in natural oak or wenge. Injected and lacquered black metal matte aluminium dissipater.

- Oak - Oak
- Wenge - Wenge
- Oak - White
- Wenge - White



dimmable\*

\*Phase cut dimmer leading and trailing edge (Triac)

[Download](#) Assembly Instructions

[Download](#) Photometric Data

[Download](#) 2D

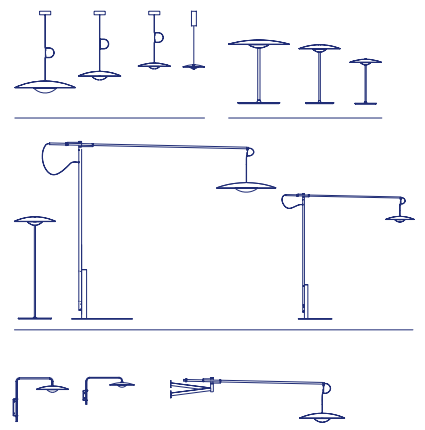
[Download](#) 3D

[Download](#) Energy label

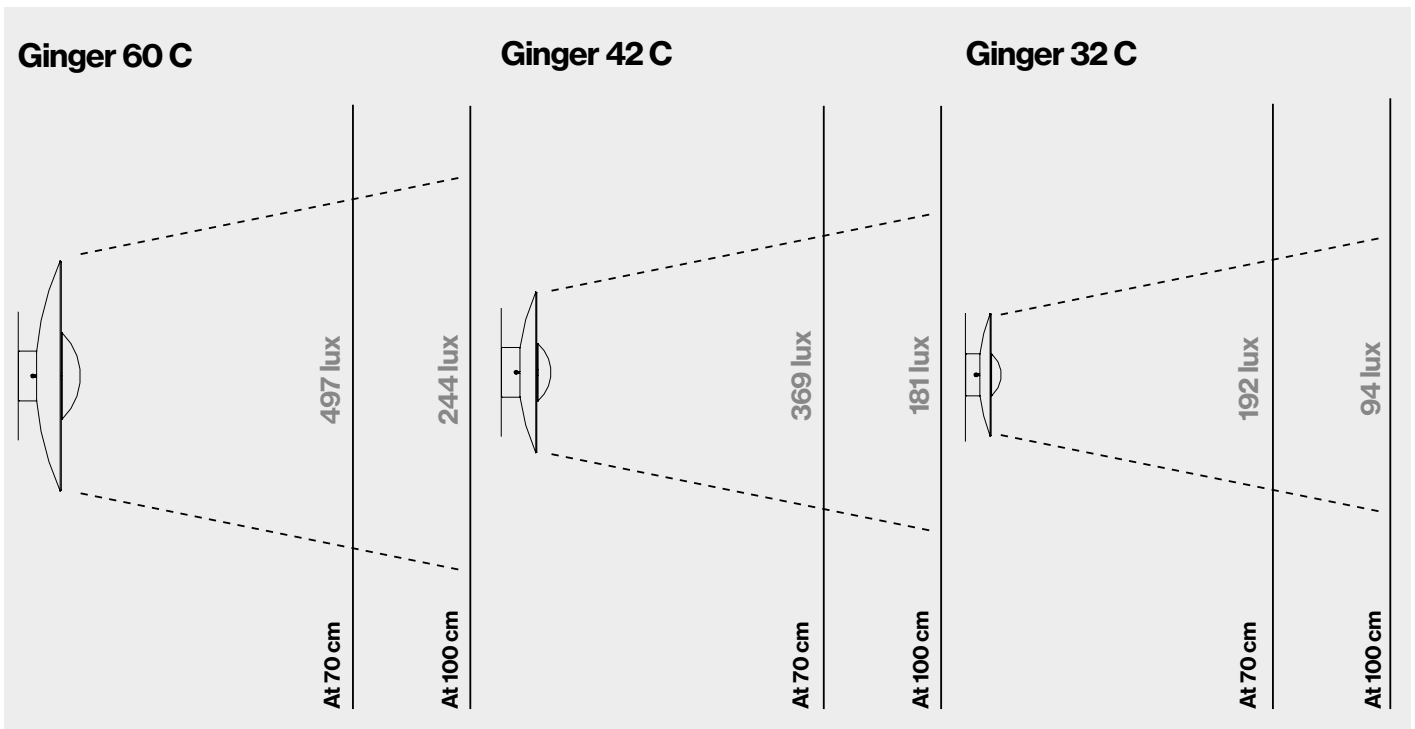
**Watch the video**

[info@marset.com](mailto:info@marset.com)  
[www.marset.com](http://www.marset.com)

**Range**

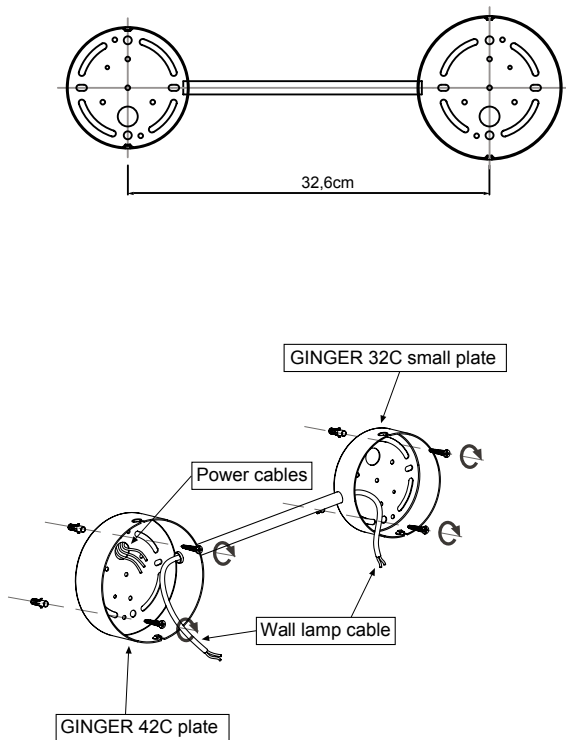


### How Ginger illuminates



### How to install

#### Accessory C2



#### Accessory C3

