



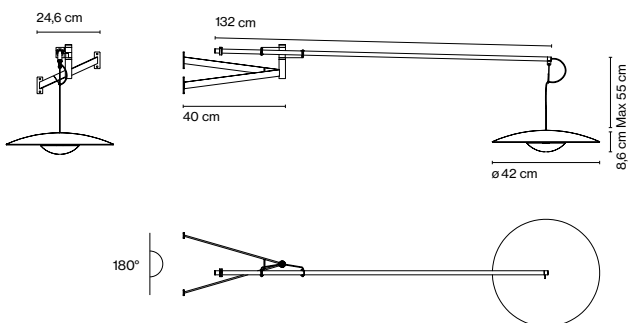
# Ginger

## Joan Gaspar

**marset**



**Ginger A XL 42**



**Ginger A XL 42**

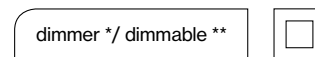
LED SMD 15,4W 700mA  
2700K 2130lm  
(included)

- Oak
- Wenge

Black electrical cord

Connections available: plug-in,  
hardwired or recessed

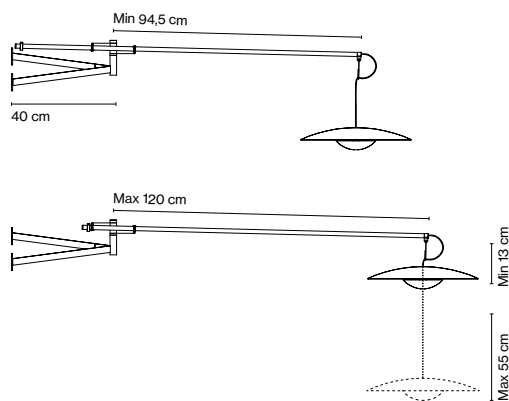
Pressed wood diffuser of 4 mm in natural oak or wenge. Injected aluminium dissipater and metal structure in lacquered black matte. Movable arm made of carbon fiber, lacquered in black matte.



\* Plug-in wall fixtures: inline motion sensor dimmer  
\*\* Hardwired wall fixtures: dimmable

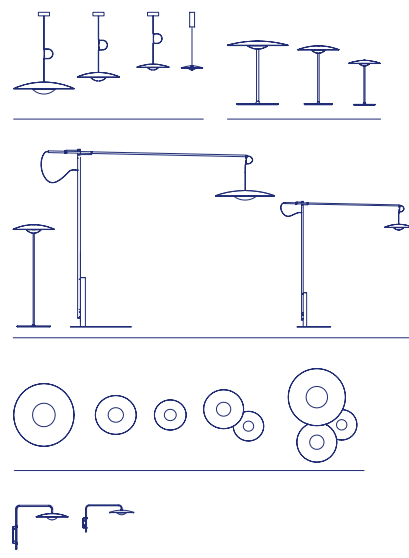
- [Download](#) Assembly Instructions
- [Download](#) Photometric Data
- [Download](#) 2D
- [Download](#) 3D
- [Download](#) Energy label

**Variety of positions**



**Watch the video**  
info@marset.com  
www.marset.com

**Range**



An adjustable wall lamp with a movable structure that holds the lampshade. This articulated arm offers static movement from one side to another, bringing stability to the whole.

## How Ginger illuminates

### Ginger A XL 42

