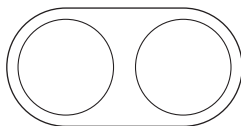
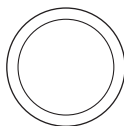


Più mounting ring with cover Più mounting ring with double cover

Fitting the mounting ring



Safety precautions



Electrical components must be assembled only by qualified personnel.

Before any installation work begins, always disconnect any live cables within the installation area from the mains.



Maintain the minimum safety distance from flammable materials.

There is a **risk of burns** when carrying out additional work on already installed lamps.

Before starting work, always allow lamps to cool down.

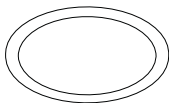
Repairs must be carried out only by authorised, qualified personnel or the manufacturer.

Product description

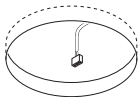
The mounting ring is to be used in conjunction with a cover when installing Occhio Più recessed spotlights in cavity ceilings.

Configuration

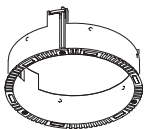
reinforcing ring



cut-out dia.:
144 mm
ceiling thick-
ness:
10-50 mm



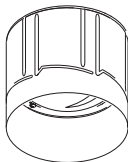
mounting ring



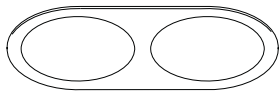
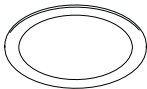
tube piano
incl. head
installation depth:
96 mm



tube piano in
incl. head
installation depth:
135 mm

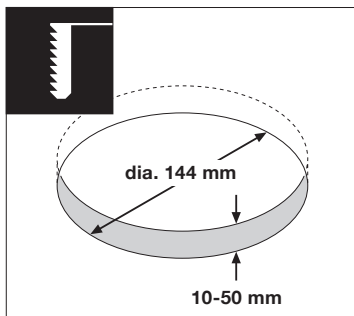


cover



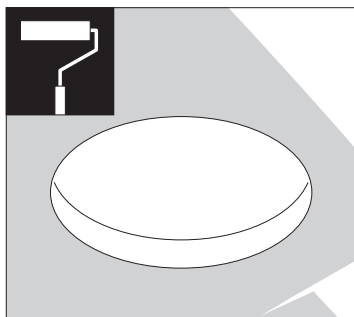
doppio cover

Fitting the mounting ring with cover

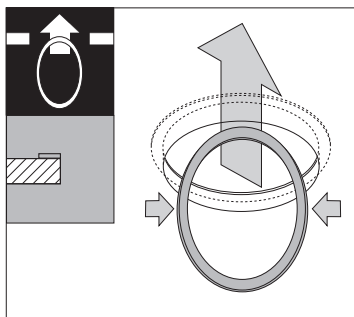


Create a circular opening with a 144 mm diameter.

Ceiling thickness: 10 mm to max. 50 mm.

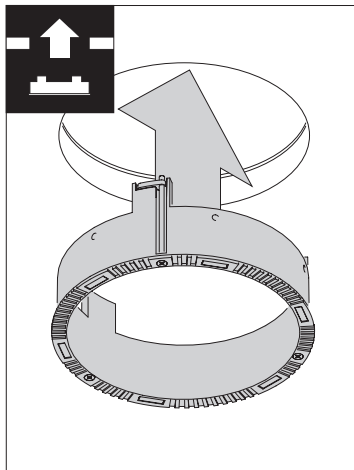


Carry out any painting and decorating work.

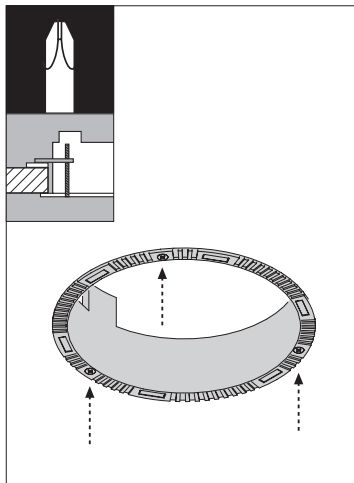


Squeeze the transparent reinforcing ring together slightly, guide it through the opening and place it on the edge of the opening.

Fitting the mounting ring with cover



Place the mounting ring in the opening.



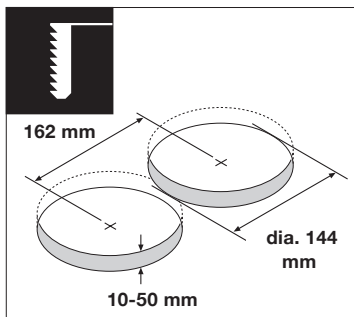
Secure with 3 screws.

Check that the mounting ring is held in place firmly.



Further installation:
see Fitting instructions for the relevant
spotlight.

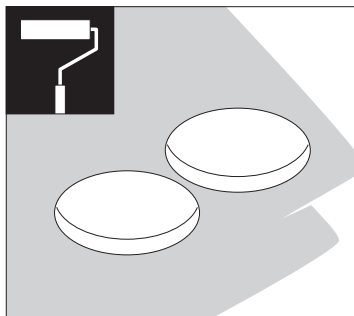
Fitting the mounting ring with double cover



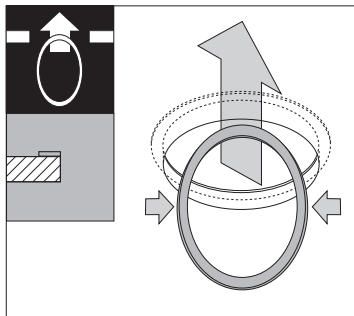
Create two circular openings, each with a 144 mm diameter.

Distance between the circle centres:
162 mm

Ceiling thickness: 10 mm to max. 50 mm.

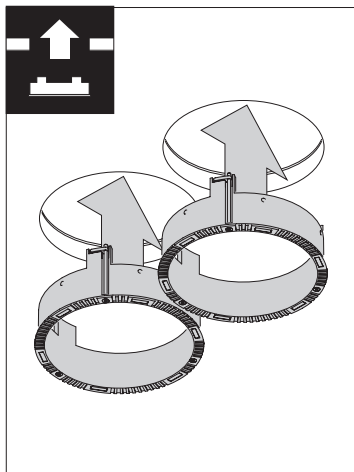


Carry out any painting and decorating work.

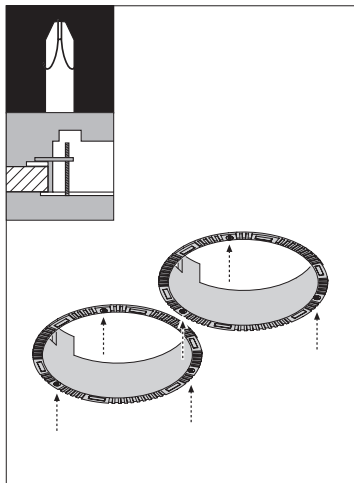


Squeeze the transparent reinforcing rings together slightly, guide them through the openings and place them on the edges of the openings.

Fitting the mounting ring with double cover



Place the mounting ring in the opening.



Secure with 2 x 3 screws.

Check that the mounting rings are held firmly in place.



Further installation:
see Fitting instructions for the relevant
spotlight.

Your Occhio specialist retailer will gladly answer any other questions

www.occhio.de
info@occhio.de

Technical data

Product description

Occhio Più mounting ring with cover

chrome matt	1M 11 00 MM
chrome	1M 11 00 CC
bianco	1M 11 00 CB
nero	1M 11 00 CN

Occhio Più mounting ring with double cover

chrome matt	1M 12 00 MM
chrome	1M 12 00 CC
bianco	1M 12 00 CB
nero	1M 12 00 CN

axelmeiselicht

Axelmeiselicht GmbH
Wiener Platz 7 Rgb.
D 81667 München
Tel. +49-89-44 77 86 30
Fax +49-89-44 77 86 39
info@occhio.de
www.occhio.com



4 042956 908029