

**Description:**

Table lamp crafted of sanded black Markina marble, and a metallic bar shade finished in matte black. Upper metallic reflector with mirror finish. Available in two sizes: LED light source.

**Materials:**

Shade: metallic bars.  
Base: Markina marble.

**Finishes:**

Matte black.

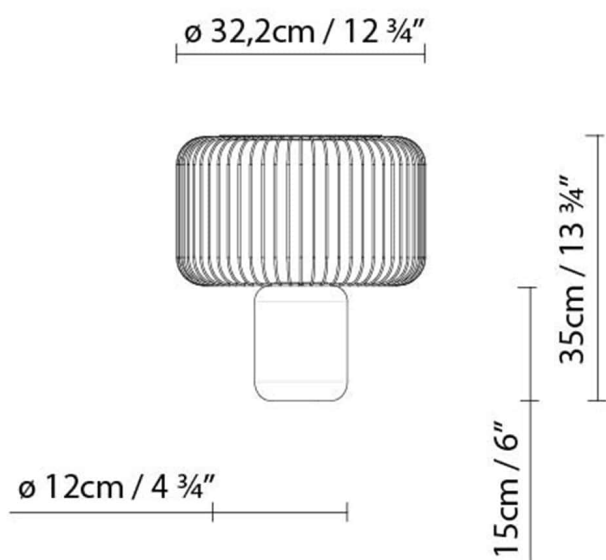
**Certifications:**

CE ENEC

IP20

230V

## KESHI T30

**Light source:**

LED 9W 1200lm 500mA 2700K CRI82

LED A

**Weight :**

Net kg.: 6.75

Gross kg: 7.5

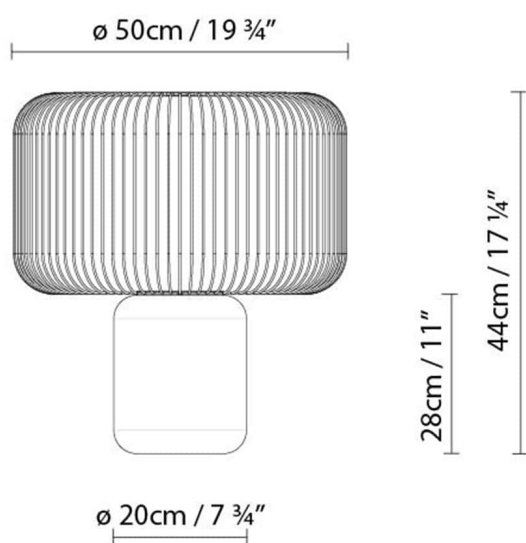
**Packaging:**

N. packages: 1

Volume m3: 0.067

Dimensions cm: 37x47.5x38

## KESHI T50

**Light source:**

LED 31,1W 3610lm 700mA 2700K

**LED** ▶ A**Weight :**

Net kg.: 21.7

Gross kg: 23.8

**Packaging:**

N. packages: 1

Volume m3: 0.25

Dimensions cm: 63.5x63.5x62

## Collection

Designer  
Technical drawing