

NEMO

KEPLER

Arihiro Miyake

Pendant lamp in epoxy-coated aluminium, in matt white or black. Available in uplight and downlight versions for widespread and comfortable lighting. The endless line is made through a 3-dimensional deformation process of extruded aluminium, designed using the mathematics of Moebius ribbons.



NEMO

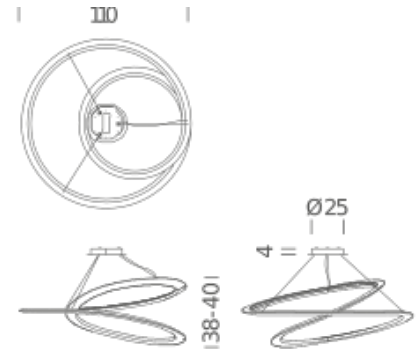
KEPLER

Arihiro Miyake

KEPLER DOWNLIGHT

Lamping

| | |
|-------------------|-------------------|
| Source | linear LED |
| Total power | 65W |
| Emission | direct |
| Switching | dimnable 1-10V |
| Tension | 110/240V |
| Color temperature | 2700K |
| Luminous flux | 6300lm |
| Typ cri | 83 |
| Energy class | A+ |
| Materials | aluminium + PC |
| Notes | cable lenght 2,5m |



Codes

KEP LNN 54

Structure

black

Diffuser

KEP LWW 54

white

NEMO

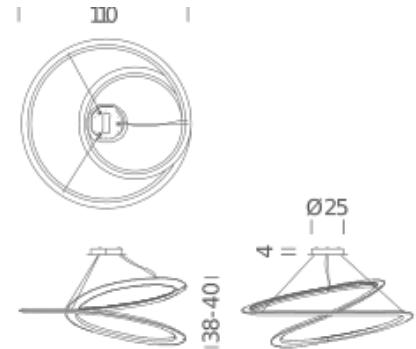
KEPLER

Arihiro Miyake

KEPLER UPLIGHT

Lamping

| | |
|-------------------|-------------------|
| Source | linear LED |
| Total power | 65W |
| Emission | indirect |
| Switching | dimmable 1-10V |
| Tension | 110/240V |
| Color temperature | 2700K |
| Luminous flux | 6300lm |
| Typ cri | 83 |
| Materials | aluminium + PC |
| Notes | cable length 2,5m |



Codes

KEP LNN 53

Structure

black

Diffuser

KEP LWW 53

white