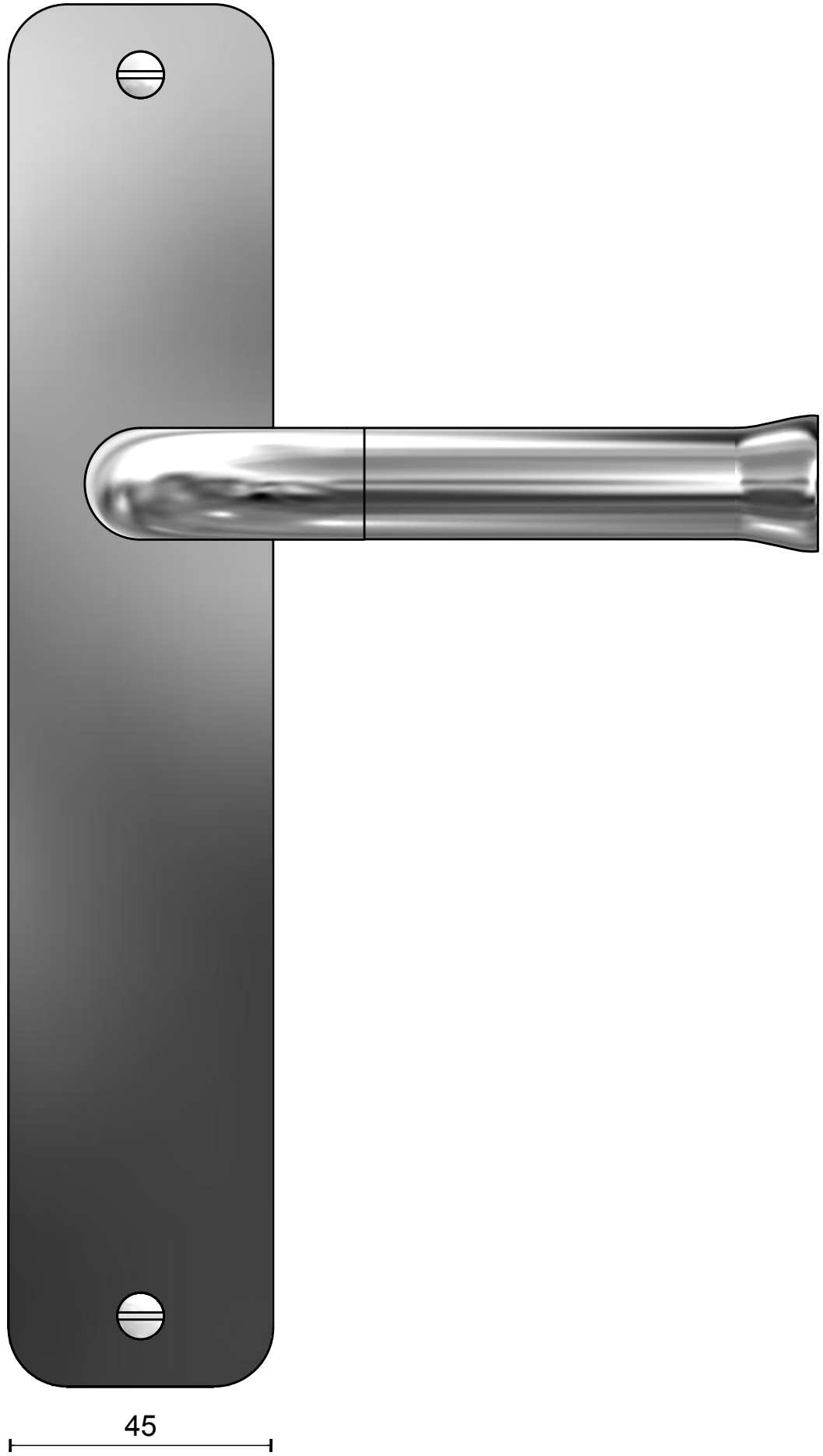


235

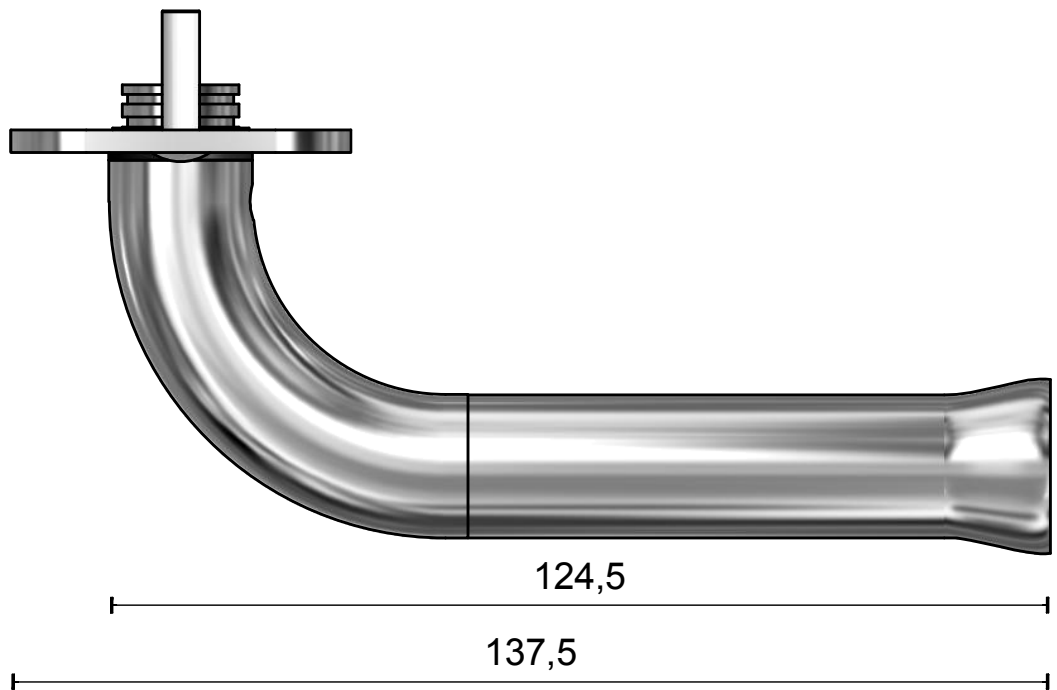
81,5



45



56



124,5

137,5

19 23

<h1>FORMANI®</h1>		Part number:	
		Description:	
Doc no.:	3101D002IPXX0F EV101P211SFC IP V02.dwg	EV101P211SFC IP	Format:
Drawn by:	Christian Brimbois		Creation date:
Formani Holland B.V. · Amerikalaan 55 · 6199 AE Maastricht Airport · tel: +31 (0)43 308 90 00 · www.formani.nl · info@formani.nl			

A3