

# NEMO

## Ellisse pendant minor

Federico Palazzari

LED pendant lamp, available in three versions: major, minor and double, widespread direct or indirect lighting. Extruded aluminium, matt white, matt black painted, polished or glossy gold anodized. Opaline diffuser. Ellisse is manufactured through a proprietary technology to combine the extruded bars (patent pending). Major version available also for wall and floor applications, with a marble base on the floor version and with a wall kit mounting on the wall one.



# NEMO

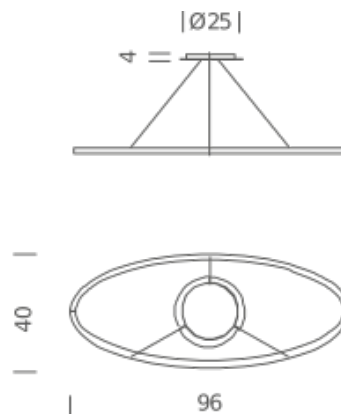
## Ellisse pendant minor

Federico Palazzari

### UPLIGHT

#### Lamping

Source	linear LED
Total power	54W
Emission	diffused orientable
Switching	dimmable 1-10V
Tension	110/230V
Color temperature	3000K (gold version: 2700K)
Luminous flux	5400lm
Typ cri	80
Energy class	A+
Materials	Aluminium
Notes	cable lenght 2,5m



#### Codes

ELP LWW 51

#### Structure

white

#### Diffuser

ELP LNW 51

black

ELP LGW 51

gold polished anodized

ELP LLW 51

polished aluminium

Net lamp weight

5 Kg

#### Package 1

Dimensions 80x150x15

Gross weight 7.5 Kg

# NEMO

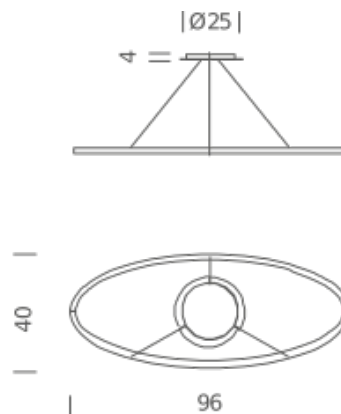
## Ellisse pendant minor

Federico Palazzari

### DOWNLIGHT

#### Lamping

Source	linear LED
Total power	54W
Emission	diffused orientable
Switching	dimnable 1-10V
Tension	110/230V
Color temperature	3000K (gold version: 2700K)
Luminous flux	5400lm
Typ cri	80
Energy class	A+
Materials	Aluminium
Notes	cable lenght 2,5m



#### Codes

ELP LWW 52

#### Structure

white

#### Diffuser

ELP LNW 52

black

ELP LGW 52

gold polished anodized

ELP LLW 52

polished aluminium

Net lamp weight

5 Kg

#### Package 1

Dimensions 80x150x15

Gross weight 7.5 Kg