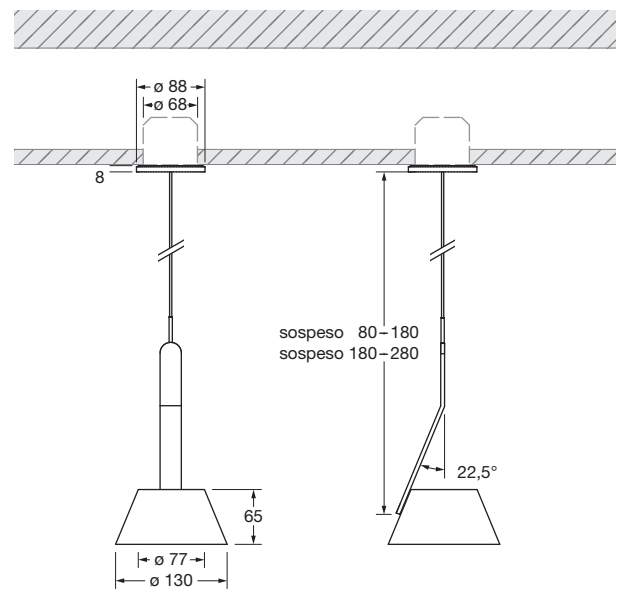


## lei sospeso flat »cc« datasheet

LED pendant luminaire with conical head. Connected to a remote constant current source (driver). Freely moveable through Occhio 3d-kinematics with two axes of rotation at an angle of 22.5° to each other, use via thermally insulated lampshade. Removable head for maintenance purposes, replaceable LED chip. Lighting effect can be changed via adjustable iris aperture, alternatively an insert with soft edge glass for diffuse lighting effect is available, lampshade white matt, translucent. Power 9W switchable and dimmable with trailing edge phase-cut dimmer, push button, DALI or 1–10V (depends on driver). Cable rolled up in the base (can be deactivated).

The finishes of the aperture, cover, arm and base are freely configurable.



dimensions in mm

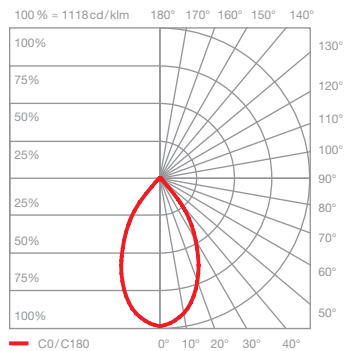
### technical data lei sospeso flat »cc«

properties	material	aluminium, steel chrome-plated, painted or anodised, plastic, glass, stainless steel, optical plastic		
	height adjustment element	integrated in the base		
	turning range body	360° (with stop)		
	turning range head	360°		
	weight	0.6 kg		
surface	shade	matt white (translucent)		
	aperture, cover	matt gold, rose gold, bronze, chrome, matt chrome, glossy white, matt white, glossy black, matt black		
	body	chrome, matt chrome, matt white, matt black		
	base	chrome, matt chrome, glossy white, matt white, glossy black, matt black		
Occhio LED	average life time	> 50.000 hrs		
	energy efficiency class	A++ / A+		
	power	9W		
	color rendering index	perfect color; CRI Ra 97	high flux; CRI Ra 85	
	color temperature	2700 K, 3000 K	3000 K, 3500 K, 4000 K	
	recommended use	residential and commercial	commercial	
electricity	dimming	with trailing edge phase-cut dimmer*, push button, DALI or 1–10V (depends on driver)		
	power supply unit	remote, driven by constant current source max. 250 mA / >36V DC		
	permitted operating conditions	max. 30°C for indoor use only		

\* For a list of compatible dimmers, see [www.occhio.de/dim\\_en](http://www.occhio.de/dim_en)



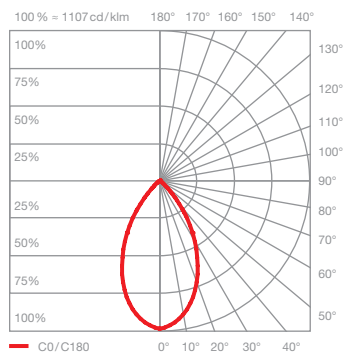
## lei sospeso flat » cc « lighting effects



**lei**  
directed light  
beam angle approx. 60°

insert: iris

luminous flux:	perfect color	9W	610lm
	high flux	9W	840lm



**lei SE**  
directed light with soft contour of the  
beam angle  
beam angle approx. 60°

insert: soft edge glass

luminous flux:	perfect color	9W	560lm
	high flux	9W	760lm