

**Description:**

Individual suspension lamps with an opal white PMMA diffuser. Direct and indirect light. It allows for multiple configurations. LED light source.

Materials:

PMMA.

Finishes:

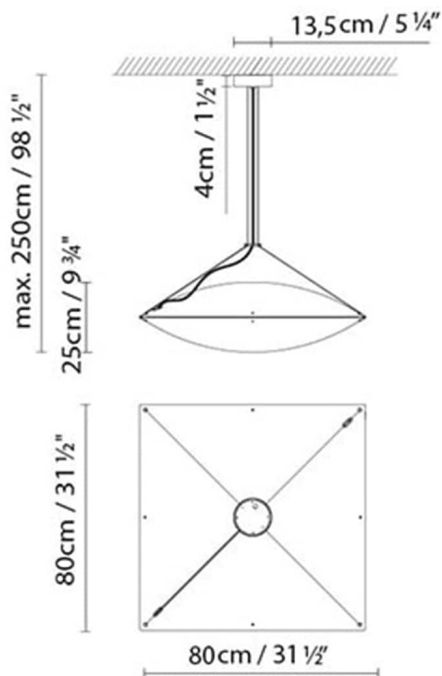
Opal white.

Certifications:

CE ENEC

IP20

CLON S

**Light source:**

LED opal 4 x max. 14W (E27)

LED ▶ A+

Fluo. 4 x max. 24W (E27)

 ▶ A

Weight :

Net kg.:

Gross kg:

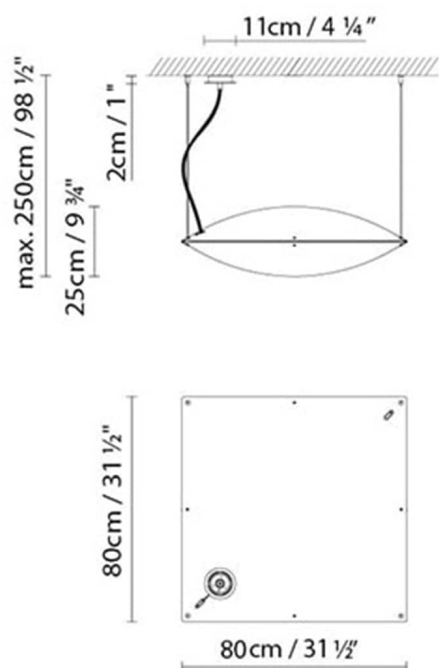
Packaging:

N. packages:

Volume m3:

Dimensions cm:

CLON S LINK

**Light source:**

LED opal 4 x max. 14W (E27)

LED **A+**

Fluo. 4 x max. 24W (E27)

 **A**
Weight :

Net kg.:

Gross kg:

Packaging:

N. packages:

Volume m3:

Dimensions cm:

Collection



Designer
 Technical drawing
 Instrucciones de montaje