

**Description:**

Decorative wall lamp consisting of an opal glass sphere and metal components finished in matte brass or black varnish. Available in two versions: diffused light (1L), or diffused light and adjustable beam for reading (2L).

Materials:

Glass and metal.

Finishes:

Matte brass.

Black varnish.

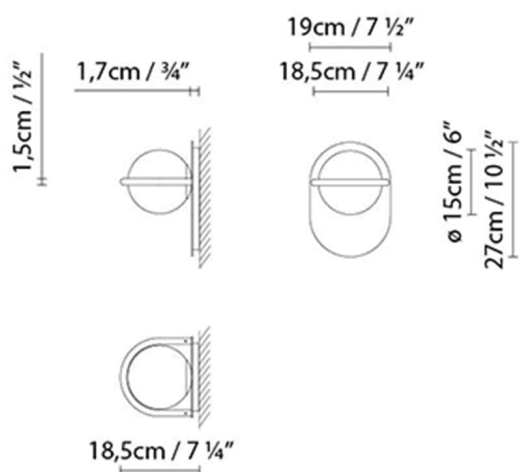
Certifications:

CE ENEC

IP20

230V

C_BALL W1L

**Light source:**

LED 6W (E14)

LED **A++**

Fluo. max. 12W (E14)

Light bulb icon **A**

Halo. max. 46W (E14)

Light bulb icon **C**

Weight :

Net kg.: 3

Gross kg:

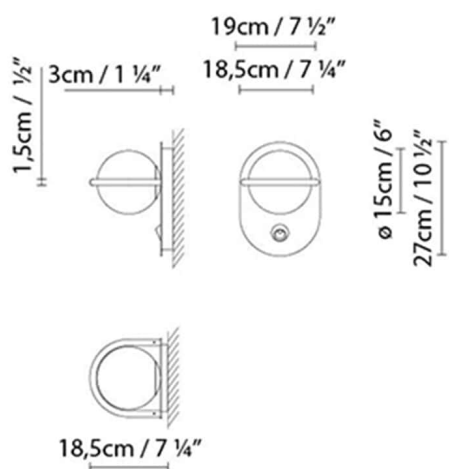
Packaging:

N. packages:

Volume m3:

Dimensions cm:

C_BALL W2L

**Light source:**

LED 6W (E14) + LED 4,5W 546lm 250mA 3000K
CRI80

LED A++

Fluo. max. 12W (E14) + LED 4,5W 546lm 250mA
3000K CRI80

LED A++

Halo. 46W (E14) + LED 4,5W 546lm 250mA 3000K
CRI80

LED A++**Weight :**

Net kg.: 4

Gross kg:

Packaging:

N. packages:

Volume m3:

Dimensions cm:

Collection



Designer
Technical drawing