

**Description:**

Decorative table lamp consisting of an opal glass sphere and metal components finished in matte brass or black varnish.

**Materials:**

Glass and metal.

**Finishes:**

Matte brass.

Black varnish.

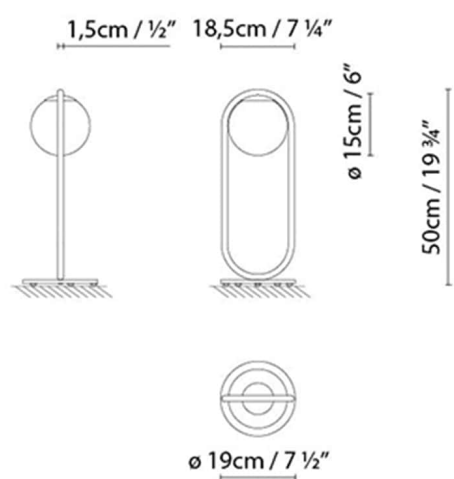
**Certifications:**

CE ENEC

IP20

230V

## C\_BALL T

**Light source:**

LED 6W (E14) DIM

LED **A++**

Fluo. max. 12W (E14) DIM

Light bulb icon **A**

Halo. max. 46W (E14)

Light bulb icon **C**

**Weight :**

Net kg.: 4

Gross kg:

**Packaging:**

N. packages:

Volume m3:

Dimensions cm:

## Collection



Designer  
Technical drawing