

**Description:**

Articulated floor lamp designed in the late 70s in the style of the English school. The simplicity of its forms is reflected in its friction swivel joints and aluminium shade. Finishes: black, red or beige (all satin). Screen with a satin white interior. Available in two sizes.

Materials:

Aluminium.

Finishes:

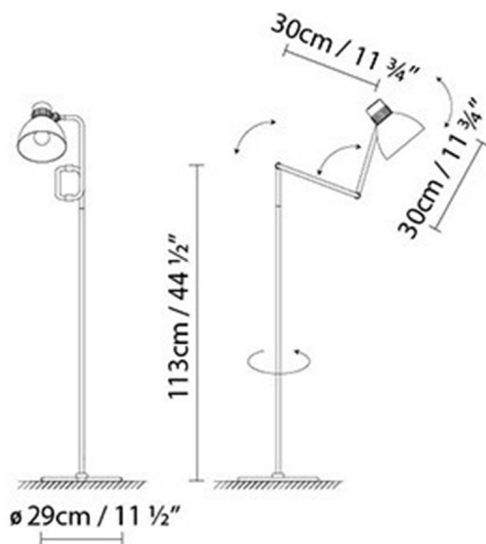
Black.
Red.
Beige.

Certifications:

CE ENEC

IP20

BLUX SYSTEM F30

**Light source:**

LED 10W (E27)

LED **A+**

;Fluo. max. 11W (E27)

 **A**

Halo. classic. max. 57W (E27)

 **D**

Weight :

Net kg.:

Gross kg:

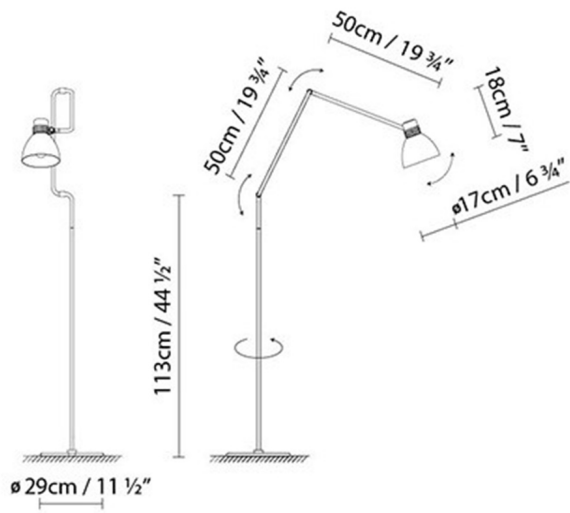
Packaging:

N. packages:

Volume m3:

Dimensions cm:

BLUX SYSTEM F50

**Light source:**

LED 10W (E27)

LED A+

Fluo. max. 11W (E27)

 A

Halo. classic. max. 57W (E27)

 D
Weight :

Net kg.:

Gross kg:

Packaging:

N. packages:

Volume m3:

Dimensions cm:

Collection



Technical drawing
Instrucciones de montaje