

Description:

Articulated wall lamp designed in the late 70s in the style of the English school. The simplicity of its forms is reflected in its friction swivel joints and aluminium shade. Finishes: black, red or beige (all satin). Screen with a satin white interior. Available in three sizes.

Materials:

Aluminium.

Finishes:

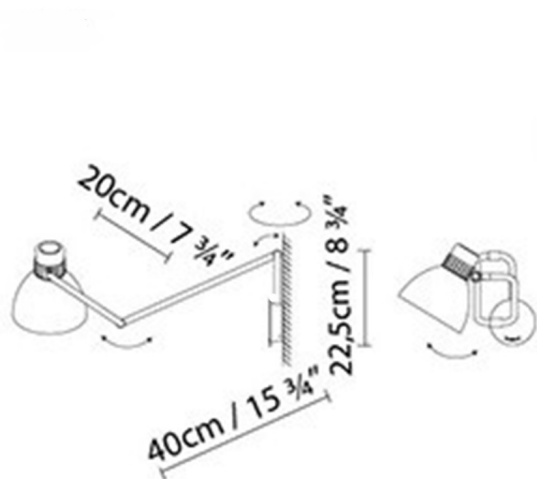
Black.
 Red.
 Beige.

Certifications:

CE ENEC

IP20

BLUX SYSTEM W20



Light source:

W20: LED 10W (E27)

LED A+

W20: Fluo. max. 11W (E27)

 A

W20: Halo. classic. max. 57W (E27)

 D

Weight :

Net kg.:

Gross kg:

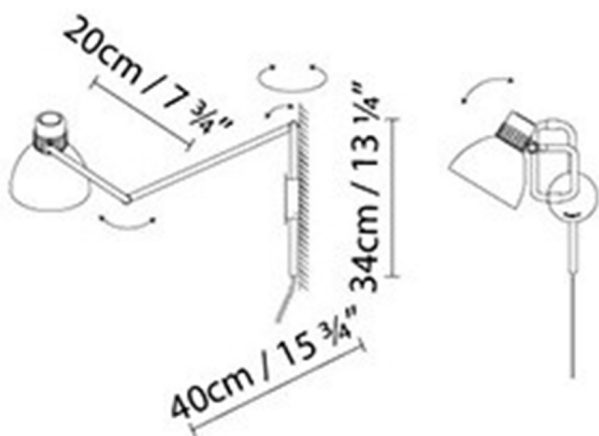
Packaging:

N. packages:

Volume m3:

Dimensions cm:

BLUX SYSTEM W20 PLUG-IN

**Light source:**

W20 PLUG-IN: LED 10W (E27)

LED A+

W20 PLUG-IN: Fluo. max. 11W (E27)

 A

W20 PLUG-IN: Halo. classic. max. 57W (E27)

 D
Weight :

Net kg.:

Gross kg:

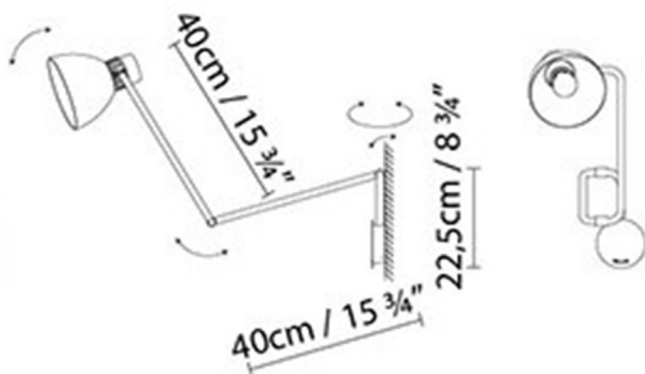
Packaging:

N. packages:

Volume m3:

Dimensions cm:

BLUX SYSTEM W40

**Light source:**

W40: LED 10W (E27)

LED A+

W40: Fluo. max. 11W (E27)

 A

W40: Halo. classic. max. 57W (E27)

 D
Weight :

Net kg.:

Gross kg:

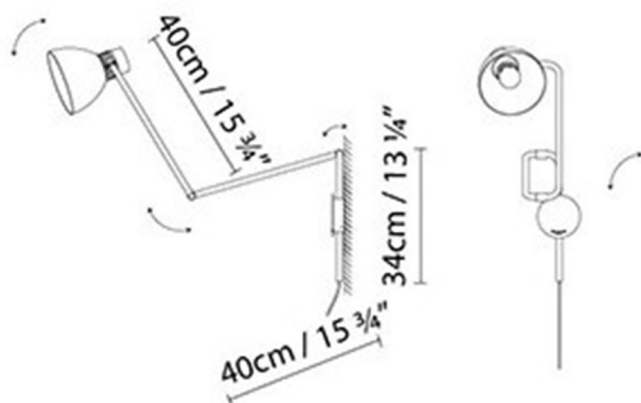
Packaging:

N. packages:

Volume m3:

Dimensions cm:

BLUX SYSTEM W40 PLUG-IN



Light source:

W40 PLUG-IN: LED 10W (E27)

LED A+

W40 PLUG-IN: Fluo. max. 11W (E27)



W40 PLUG-IN: Halo. classic. max. 57W (E27)



Weight :

Net kg.:

Gross kg:

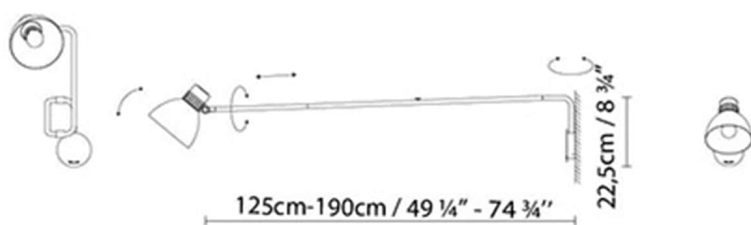
Packaging:

N. packages:

Volume m3:

Dimensions cm:

BLUX SYSTEM W125



Light source:

W125: LED 10W (E27)

LED A+

W125: Fluo. max. 11W (E27)



W125: Halo. classic. max. 57W (E27)



Weight :

Net kg.:

Gross kg:

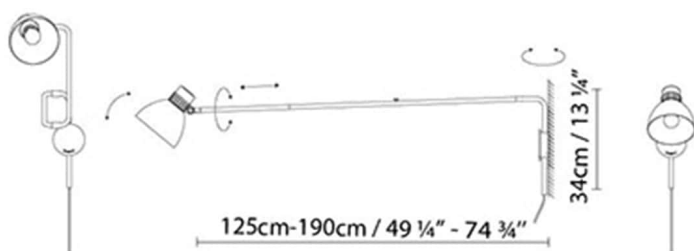
Packaging:

N. packages:

Volume m3:

Dimensions cm:

BLUX SYSTEM W125 PLUG-IN

**Light source:**

W125 PLUG-IN: LED 10W (E27)

LED A+

W125 PLUG-IN: Fluo. max. 11W (E27)

 A

W125 PLUG-IN: Halo. classic. max. 57W (E27)

 D
Weight :

Net kg.:

Gross kg:

Packaging:

N. packages:

Volume m3:

Dimensions cm:

Collection



Technical drawing
Instrucciones de montaje