



Description:

Articulated table lamp designed in the late 70s in the style of the English school. The simplicity of its forms is reflected in its friction swivel joints and aluminium shade. Finishes: black, red or beige (all satin). Screen with a satin white interior. Available in two sizes.

Materials:

Aluminium.

Finishes:

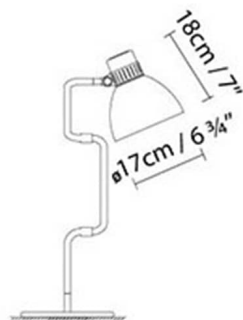
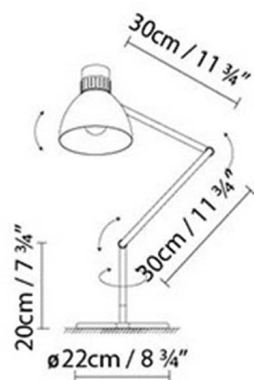
Black.
 Red.
 Beige.

Certifications:

CE ENEC

IP20

BLUX SYSTEM T30



Light source:

T30: LED 10W (E27)

LED ▶ A+

T30: Fluo. max. 11W (E27)

 ▶ A

T30: Halo. classic. max. 57W (E27)

 ▶ D

Weight :

Net kg.:

Gross kg:

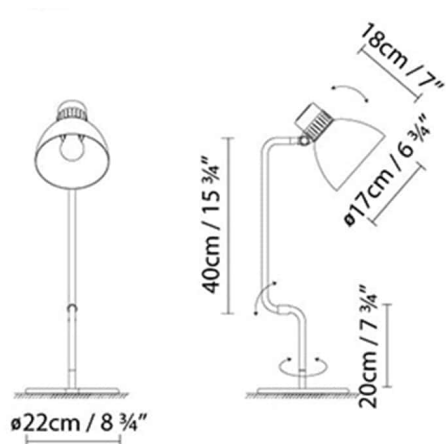
Packaging:

N. packages:

Volume m3:

Dimensions cm:

BLUX SYSTEM T40



Light source:
LED 10W (E27)

LED A+

Fluo. max. 11W (E27)



Halo. classic. max. 57W (E27)



Weight :

Net kg.:

Gross kg:

Packaging:

N. packages:

Volume m3:

Dimensions cm:

Collection



Technical drawing
Instrucciones de montaje