

Afterroom Counter Table



Counter table

Furniture—Product Sheet
menu.as

by Afterroom



Afterroom Counter Table

Product Type

Counter table

Production Process

The frame is made from powder coated bent steel tubes with brass weldings. The table top is HPL laminate on milled MDF or painted MDF.

Environment

Indoor

Dimensions (cm / in)

H: 92,5 cm / 36 ³/₈"

Ø: 68 cm / 26 ³/₄"

Materials

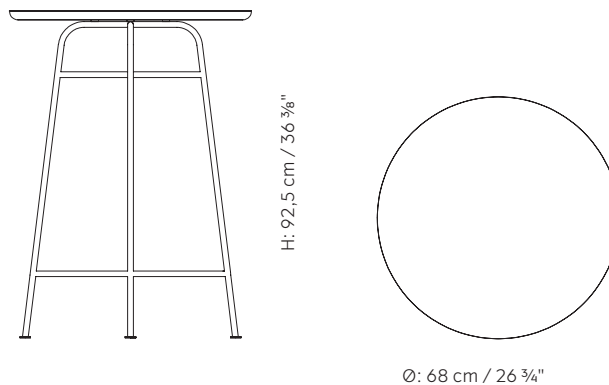
Powder coated steel tubes, silk smooth high pressure laminate or painted MDF and polyurethane top coat.

Colours

Black, White, Black/Black Laminate, White/White Laminate

Care Instructions

To clean, simply wipe with a soft cloth using hot water and a mild detergent.



The Afterroom Counter, Cafe and Bar Tables are yet a supplement to the Afterroom Chair. The design pays homage to Bauhaus and functionalism with a design that combines minimalistic clean lines with good quality materials to create an aesthetically stunning piece of design. The tables come in three sizes, to compliment the corresponding Afterroom Chairs, with and silk smooth laminate finish for added luxury.

About the Designer

Afterroom is a Stockholm-based design studio, respecting wear and tear and the passage of time. Founded and directed by Hung-Ming Chen and Chen-Yen Wei, the studio's mission is simply to create beautiful products which will increase in value with the passage of time —design with which one can grow old. The inspiration derives from an intriguing interest in forms, senses, proportions, materials and cultures. The philosophy pivots around simplicity and honesty.

Afterroom Counter Table



Black
8820530



White
8820630



Black/Black Laminate
8821530



White/White Laminate
8821630