

PRODUCT SHEET
— LANTERNA — Pendant Lamps —

SAM BARON

PETITE FRITURE

SAM BARON



Born in France in 1976, Sam Baron has a degree in Design from the Fine Arts School of Saint-Étienne and a post-graduate degree from the National Decorative Arts School of Paris. He is an independent designer and currently heads the design department of Fabrica, in the communications research centre in Treviso. He lives between Paris, Lisbon and Treviso and channels his designs through the biggest international galleries and manufacturers - Zanotta, Ligne Roset, Nilufar, Secondome and others.

He regularly dedicates beautiful and affordable collections to the public, collections that today can be found in the La Redoute catalogue in France, or Casamania in Italy. In 2010 he has been awarded as Designer of the Year at Maison&Objet.

« Sam Baron generates artistic dialogue between traditional savoir-faire and ultra-contemporary forms. »

LANTERNA
PENDANT LAMPS
SAM BARON

Edition 2014



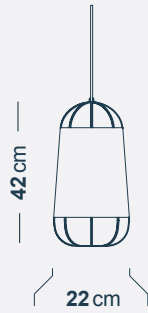
LANTERNA...
ACCORDING TO ITS DESIGNER :

« From a simple lamp to the recollection of a Chinese rounded lantern, LANTERNA is a family of different sized pieces that pay homage to the electric light that we all have at home. The golden texture transforms the light, creates a warm atmosphere and gives a special beauty to your interior, your favorite objects and intimacy. »

LANTERNA is a pendant lamp designed by Sam Baron, that exists in three sizes and two colours, black and white. The simplicity of the structure contrasts with the atmosphere it diffuses : the light, reflected in the golden interior, suddenly gives the lamp a strong, warm and radiant aspect.

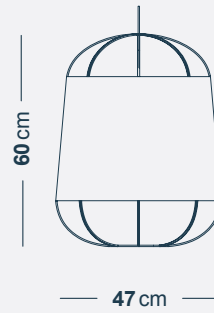
DIMENSIONS & WEIGHTS

SMALL



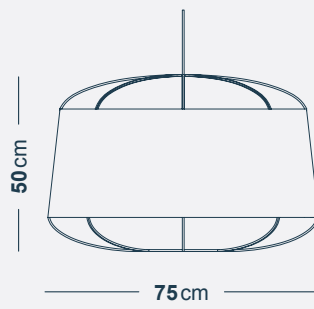
Ø: 22 cm; H: 42 cm
W: 0,4 kg
Packaging: 30x30x50 cm

MEDIUM



Ø: 47 cm; H: 60 cm
W: 0,8 kg
Packaging: 52x52x67 cm

LARGE



Ø: 75 cm; H: 50 cm Packaging: 80x80x55 cm
W: 1,2kg

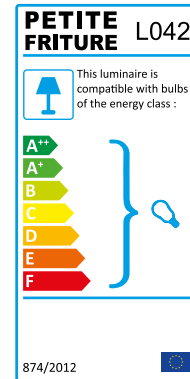
TECHNICAL SPECIFICATIONS

- Environment : indoor
- Made in Europe
(Portugal)



220-240 V 50-60 Hz

- Bulb not provided
- White or black textile cable
3 m
- Socket and ceiling cup white
or black plastic



COLOURS & MATERIALS

- Lacquered steel, Cotton, PVC



WHITE - RAL 9016 / GOLD

REF.

SMALL - L0420101
MEDIUM - L0420301
LARGE - L0420401

BLACK - RAL 9005 / GOLD

REF.

SMALL - L0420102
MEDIUM - L0420302
LARGE - L0420402

· | **CONTACT** | ·

PETITE FRITURE

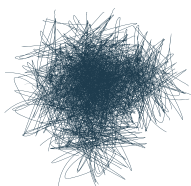
Showroom

83 boulevard Richard Lenoir, 75011 - Paris

T +33 (0)1 44 54 13 95

F +33 (0)1 44 54 02 19

petitefriture.com



**PETITE
FRITURE**
ÉDITEUR DE DESIGN