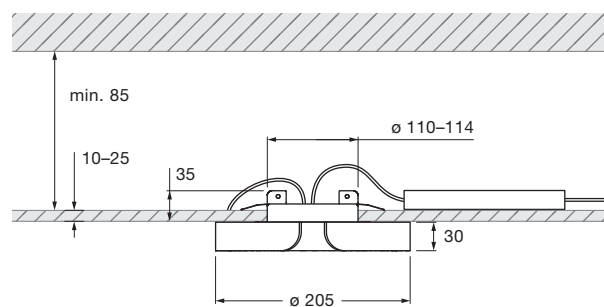


Mito soffitto 20 flat datasheet

Annular LED ceiling-mounted luminaire with single-sided light output and a diameter of 20,5 cm. There is a choice of two lighting effects. As room lighting, ceiling (narrow) provides a concentrated, dazzle-free light beam for perfect lighting in all situations. wall (wide) for installation on walls especially in halls or corridors in order to brighten up the opposite areas with targeted lighting without dazzling – wide light beam.

Version for hollow ceiling including power supply unit and cover for fitting and inspecting the power supply unit. Dimmable via trailing-edge phase-cut dimmer*; can alternatively be controlled via Occhio air. Connection to 230V AC mains voltage. The color temperature can be preset (2700/3000/3500/4000K) or can be continuously controlled from 2700 to 4000K via Occhio air.

Other versions: Mito soffitto flat (40/60), Mito soffitto up (20/40/60), Mito sospeso flat (40/60), Mito sospeso up (40/60), Mito sospeso trimless (40/60), Mito sospeso due (40/60)



incl. power supply unit (removable)
dimensions: L 170 x W 89 x H 27

dimensions in mm

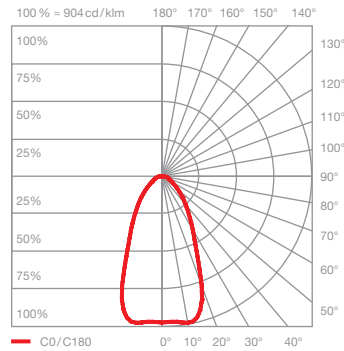
technical data Mito soffitto 20 flat

properties	material	aluminium, painted, anodised or PVC-coated steel, plastic, optical silicone
	weight	0.7 kg
surface	head	bronze, matt gold, rose gold, matt silver, matt white, matt black
	cover	matt white
Occhio »color tune« LED	average life time	> 50.000 hrs
	energy efficiency class	A +
	power	20W
	color rendering index	high color; CRI Ra 95
	color temperature	2700–4000K
	recommended use	residential and commercial
electricity	dimming	via trailing-edge phasecut dimmer or Occhio air (optional)*
	connection	230V AC
	permitted operating conditions	max. 30°C for indoor use only

* For a list of compatible dimmers, see www.occhio.de/dim_en, trailing-edge phasecut dimmer and Occhio air not combinable



Mito soffitto 20 flat lighting effects



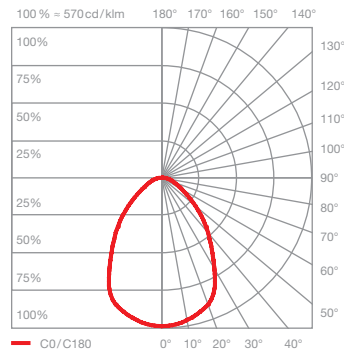
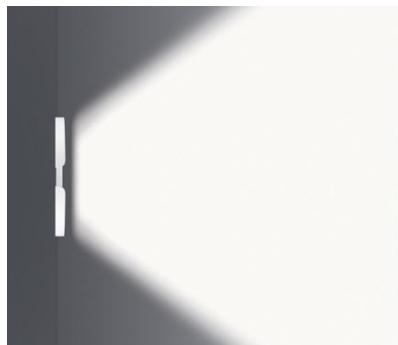
ceiling (narrow)

concentrated light, beam angle approx. 50°

inserts: narrow

luminous flux: high color 20 W 870 lm

UGR (4H8H) > 19*



wall (wide)

wide-radiation light, beam angle approx. 80°

inserts: wide

luminous flux: high color 20 W 890 lm

UGR (4H8H) > 19*

*The standardized indication of glare values (UGR value – 4H8H) is not quite significant for annular luminaires. In most real applications the result of an individual calculation is a UGR value <19. Therefore, we recommend to carry out a calculation which can be prepared by our lighting design team (project-support@occhio.de).