

lei parete up cutsheet

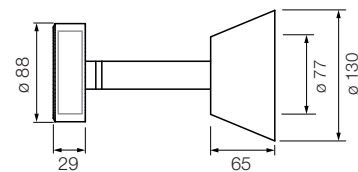
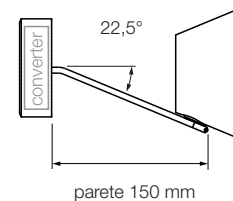
LED wall mounted luminaire with conical head. Version with surface mount transformer for fitting onto solid ceiling/wall with cable outlet, power supply with internal power source (converter). Freely moveable through Occhio 3d-kinematics with two axes of rotation at an angle of 22.5° to each other, use via thermally insulated lampshade. Removable head for maintenance purposes, replaceable LED chip.

Lighting effect can be changed via adjustable iris aperture, alternatively insert available with soft edge glass for diffuse lighting effect, lampshade white matt, translucent.

Power 9 W switchable and dimmable via sensor button on the back of the head. Power supply via AC adapter (converter), cable rolled up in the base (can be deactivated).

The finishes of the aperture, cover, arm and base are freely configurable.

More versions: parete flat (with flat base).



materials light fixture
aluminium, steel
chrome-plated, painted
or anodised, plastic

materials inserts
glass, stainless steel,
optical plastic

**surface aperture,
cover, base**
chrome, matt chrome,
glossy white (bianco),
matt white,
glossy black (nero),
matt black, gold (only
aperture, cover)

surface body
chrome, matt chrome,
matt white, matt black

surface shade
matt white (translucent)

rotatability head
360°

rotatability body
360° (with stop)

weight
max. 0,8 kg

dimming function
via sensor button on
the back of the head or
external with trailing
edge phase-cut
dimmer, (list compatible
dimmer: www.occhio.de/dim)

ECG (driver)
integrated
operating voltage
230 V AC

Occhio »next generation« LED

			LED high color		LED high flux				
supply voltage	U	48 V DC (min. 11 W)	color rend. index	CRI	Ra 95	Ra 95	Ra 85	Ra 85	Ra 85
average lifetime	t	> 50.000 h	color temperature	T	2700 K	3000 K	3000 K	3500 K	4000 K
efficiency class	EEC	A + / A	recommended usage		residential and public		public		
power	P	9 W	luminous flux* LED ø		900 lm	900 lm	1100 lm	1100 lm	1100 lm

* Effectively measured values at operating temperature. Nominal values from LED manufacturer are up to 20 % higher.



lei parete up installation diagram

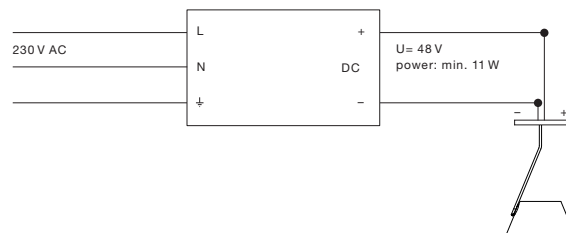
Occhio converter
for connection of 1 spotlight

48 V DC, max. 26 W
L 105 × W 65 × H 25 mm
art. no. 6Z48540Z

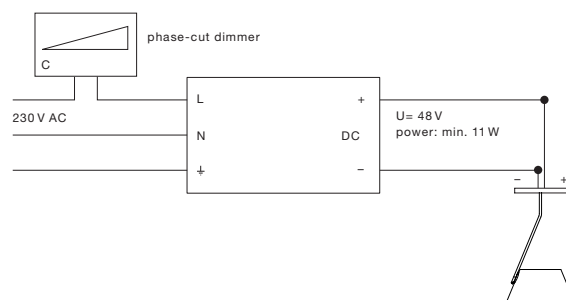


installation diagrams also valid
for up and track versions

without external dimmer



dimming with phase-cut dimmer*



*compatible dimmers: www.occhio.de/dim_en